



FA0.60LT
Bucket technical characteristics

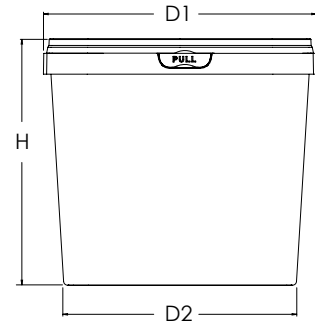
Dimensions

D1: 115 mm

D2: 100 mm

H: 82 mm *without the lid*

Deviation ±1mm



Other elements

Capacity (LT)

Volume to rim
0.480 LT

Brim full volume
0.650 LT

Net weight / Deviation (±2.5%)

24 gr

Buckets packaging

Pallet 8.000 pcs

400 pcs/carton

Decoration

IML Label
332,78X62,72 mm

Packaging

5 Vertically



Lid technical characteristics

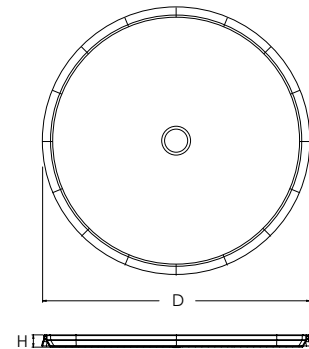
FA0.60LT

Dimensions

D: 118 mm

H: 11 mm

Deviation ±1mm



Other elements

Lid weight (gr)
Deviation (±2.5%)

9 gr

Lid packaging

Pallet 28.000 pcs
Carton 1.400 pcs

Decoration

IML Label
Ø 104 mm

USEFUL STORAGE INFORMATION: To preserve the quality of this product, it is recommended that it be stored in its original packaging, away from any source of local heat and moisture, away from direct sunlight (below 30°C) and dry conditions. It is recommended that the product be allowed to reach operating temperature 24 hours before use.

RAW MATERIAL: Polypropylene (PP)

